

Script.CAN.RENAULT.MASTER.POS3.VF1MA000_65.v1.12.3.2_MG

Renault Master 2021 CAN Script



The compatibility if this script can only be guaranteed for:

1. Renault Master 2021 models.
2. Vehicles with a VIN Number that starts with: **VF1MA000_65**

This script can be used with the following devices:

1. MiX 4000
2. MiX 6000
3. FM3316 and FM3306 Communicators
4. FM3517i and FM3507i Communicators
5. FM3617i and FM3607i Communicators
6. FM3717i and FM3707i Communicators
7. FM3817i and FM3807i Communicators

Version History

Reference	Version	Changes
SCR-1693	v1.12.1.0	This script supports the standard system Parameters: ECMST, Speed, RPM, Fuel, Driver Seatbelt, Odo, Brake Pedal, Driver Door Front, Headlight, Park Brake, Left Turn Indicator, Right Turn Indicator. The script should be compatible with vehicles with a VIN starting with: VF1MA000_65
SCR-2684	v1.12.2.1	Added timeout for speed and RPM. Added Passenger Seatbelt.
SCR-2684	v1.12.3.1	Removed ignition checks from RPM and speed routines.
SCR-2776	v1.12.3.2	Updated the Odo Signal

Supported Parameters

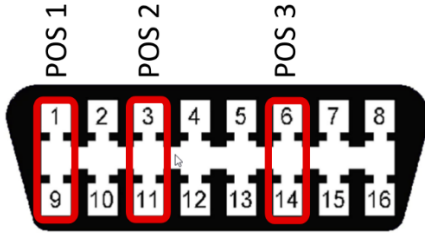
ACRONYM	PARAMETER NAME	PARAMETER DESCRIPTION	Return values/states (if applicable)
CAN_V	System.Scratch40D	Road speed	
CAN_N	System.Scratch40C	Engine RPM	
CANFE	System.CAN.FuelRate	Fuel Rate	
FMODO	System.FM.CAN.FMODO	FM CAN: Odometer	
SBLTS	System.FM.CAN.SBLTS	FM CAN: Seat Belt State	0 = Buckled 1 = Unbuckled (speed <= 20km/h) 2 = Unbuckled (speed > 20km/h) 3 = Not available
PSBLT	System.FM.CAN.PBELT	FM CAN: Passenger Seat Belt Status	0 = Buckled (or no passenger present) 1 = Unbuckled (passenger present & speed <= 20km/h) 2 = Unbuckled (passenger present & speed > 20km/h) 3 = Not Available
BRKPS	System.FM.CAN.BRKPS	FM CAN: Brake Pedal State	0 = Not Available 1 = Disengaged 2 = Engaged
DD01S	System.FM.CAN.DD01S	FM CAN: Driver Door 1	0 = Not Available 1 = Open 2 = Closed
HDLTS	System.FM.CAN.HDLTS	FM CAN: Head Light State	0 = Not Available 1 = Off 2 = On
LTSSI	System.FM.CAN.LTSSI	FM CAN: Left Turn Indicator	0 = Off 1 = On

RTSSI	System.FM.CAN.RTSSI	FM CAN: Right Turn Indicator	0 = Not Available 1 = Off 2 = On
-------	---------------------	------------------------------	--

Installation Notes

1. **The script is NOT compatible with TRACERS**
2. The CAN jumpers must be in a position to ONLY allow **read** actions on the CAN bus (Passive Mode)
3. The script supports 11-bit CAN message identifier CAN headers.
4. The script only supports a CAN bus with a speed of 500 kbit/s CAN bus speed
5. Device Drivers: [BAS 1.70k - E15.08.27.xx](#) or later sets are supported

Wiring and Installation Instructions

CAN bus location	<p>OBD2 #3, use Pin 6 and Pin 14</p> 
Wire colours & details	No details
Can bus speed	CAN_500_kbps